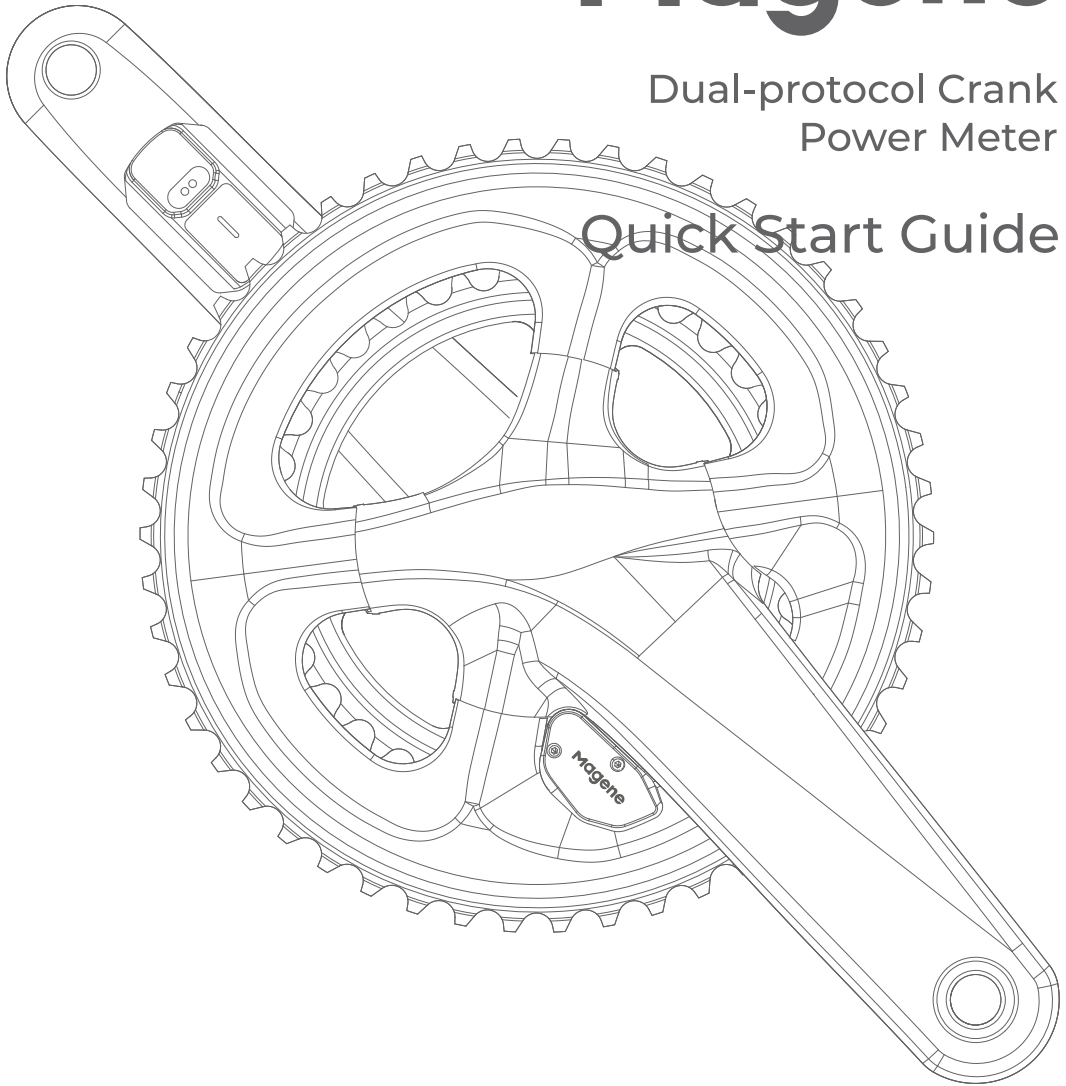


Magene

Dual-protocol Crank
Power Meter

Quick Start Guide



NOTE

If your bicycle brake caliper is installed under bottom bracket, it is necessary to confirm the compatibility between the product and the bicycle frame before installation, so as to avoid unnecessary loss. Please contact the dealer or customer service department for the operation method of compatibility test to confirm that the product is compatible with your frame.

01/ Quick Start Guide

Thank you for purchasing Magene Dual-Sided Crank Power Meter

(Hereinafter referred to as Magene Power Meter) .

For information regarding crank installation and adjustment not covered in this guide , please refer to your bicycle dealer's instruction manual.

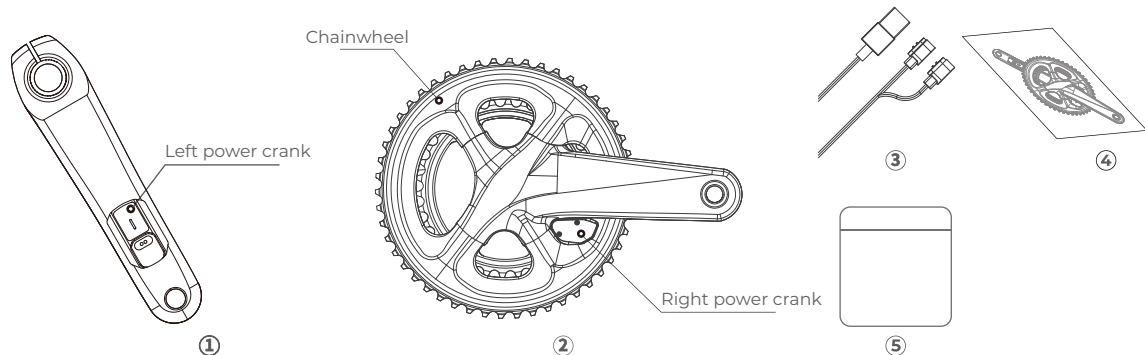


- E-mail: support@magene.cn
- Phone: (+86)400-662-8297
- Website: www.magenefitness.cn

If you have any questions about the power meter module, please contact us.

02/ Unpacking the Box

Take Magene Power Meter and its parts out of the box and keep the original packaging for future storing and transporting.



The box should contain:

- ① Left power crank
- ② Right power crank
- ③ Charging line
- ④ Quick start Guide
- ⑤ Accessory Bag

03/ Connect and Activate the Power Meter

Note:

The power meter is not activated and cannot be used normally; the new product must be activated for the first time.

Android users to enter the Google Store (iPhone users from the App Store) to search for the "Magene Utility" app and download it. Follow the prompts to activate your power meter.

Note:

If the activation fails, please click back to enter the device search list and reconnect to activate.

04/ Connect the Power Meter Device

Magene Power Meter can be connected to power device after activation.

Magene Power Meter is a Bluetooth and ANT+ dual-protocol power meter that is compatible with ANT+ and Bluetooth devices that support the standardized power meter protocol. Using this protocol the power meter's measured data can be viewed and recorded.

Typically, most bike computers can search for and add power meter equipment in the settings through the settings > sensors > new > sensor > power meter.

Note:

When searching for the Magene Power Meter, step on the pedal connected to

the power meter crank so that the power meter can detect the torque therefore waking up the power meter from Sleep mode, start the Bluetooth or ANT+ signal broadcast and wait for a device to connect.

Note:

If there are multiple power meters in the current environment, you need to identify your power meter by ANT+ ID.

05/ Calibrating The Power Meter

Zero offset calibration will calibrate the power meter to 0 power when at rest.

When calibrating, please turn the left crank in the vertical ground down state and use ANT+ Device or MAGENE UTILITY for calibration.

06/ Peripheral Paring and Functions

Magene Power Meter wirelessly transmits ride information to a bike computer or receiver that support ANT+ or Bluetooth.

Magene Power Meter logs the following information as you ride.

- ① Power
- ② Cadence
- ③ Remaining Battery Capacity
- ④ Torque Effectiveness
- ⑤ Pedal Balance
- ⑥ Pedal Smoothness

This product transmits the following information wirelessly to cycle computers or receivers that support ANT+ or Bluetooth LE connections.

Note:

The 4,5,6 wireless receiver can only be used in part of the Apps of Magene.

If you are purchasing LITE version, 4 / 5 / 6 features need to be purchased separately through Magene Utility.

07/ Charging

When you find that the power meter is unable to search for a connection, the power meter may have run out of power. Please charge it as soon as possible.

Charging procedure:

1. Insert one end of the USB interface of the charging cable into the computer or charger, and a section of the magnetic suction head is slightly close to the power meter body to make it absorb naturally.

2. Confirm that the red light of the power meter is always on, and the power meter is in normal charging state. When the battery is fully charged, the light will turn green.

NOTE:

Do not short circuit the magnetic suction end, and do not adsorb on the metal when it is electrified .

Only the USB adapter with an output voltage of 5V can be used for charging.

08/ Product Specifications

| | Left Crank Power Meter | Right Crank Power Meter |
|---------------------------------|---------------------------|-------------------------|
| Power Accuracy | 1.5% | |
| Weight | 8g | 15g |
| Power Supply | rechargeable battery | |
| Working Life | 200h | |
| Wireless Interface | ANT+ Bluetooth BLE 4.2 | |
| Water Proofing | IPX7 splash resistance | |
| power range | 0-2500w | |
| cadence range | 20-240rpm | |
| external cadence sensor magnets | none | |
| operating temperature | -10-50°C | |
| requires zero-point calibration | yes | |

09/ Q&A

Please refer to the following if you have any questions in the process of using Magene Power Meter.

Q: Undisplayed power

- A:** 1. Check to see if activation has been performed
2. Check whether the bike computer or software has been connected
3. If the connection cannot be made, please charge your power meter

Q: The power has obvious deviation

- A:** Do zero offset calibration by your bike computer or Magene Utility

Q: Zero point calibration failure

- A:** Keep the Magene Power Meter steady than make sure that the left crank is pointing straight at the ground. Try again.

Q: Torque Effectiveness/Pedal Balance/Pedal Smoothness of right crank power meter is 0

- A:** 1. Use the Magene Utility to check if the right side is connected. After static setting the crank 1 min, don't touch it. Rotate the crank to see if the connection state is restored. If not, check the battery power.
2. If the problem occurs after the upgrade fails, check that the ID of the right crank (see the ant+ID number on the sticker on the crank) appears in the device list, if so, click the connection, upgrade the device, and re-check the connection status after the upgrade.

If none of the above is applicable or the problem is not solved, please consult online customer service or dealers.

10/ Upgrading the Power Meter's Firmware

Android users to enter the Google Store (iPhone users from the App Store) to search for the "Magene Utility" app and download it.

Use Magene Utility to connect the power meter to obtain the latest firmware.

11/ Warnings and Daily Check

1. Warnings:

- Do not spray the power meter module with high pressure water when cleaning the bicycle.
- Please tighten the crank and pedal bolts exactly according to the instructions. Otherwise, it may cause damage to the crank or pedal.
- Do not put the battery into fire or heat, otherwise it may cause a fire or explode.
- The power meter module is a splash-proof design. Do not soak the power meter module in water.
- Do not subject the crank and power meter module to severe impact, as this may cause the power meter module to detach or malfunction.
- In temperatures below -10°C , the CR2032 battery life will decay rapidly.
- Use neutral detergent when washing cranks. Use of alkaline or acidic detergents or thinners may shorten the life of the sensor case.

- The power meter module uses the 2.4G wireless communication band. The 2.4G signal environment surrounding the object or the surrounding area may cause interference to communications.
- If the signal connection is found to be unstable, try again in an open area. Strong electromagnetic waves generated by surrounding.
- Do not try to remove the waterproof glue around the power meter module! This will compromise the waterproof performance of the power meter module.
- Natural wear and aging and normal use caused by performance deterioration is not covered by the warranty.

2. Daily Check Items Before Riding

Please check the items listed below before riding. In case of any abnormality, it is recommended to seek professional technicians for maintenance and debugging.

- Are there any cracks in the crank arms?
- Are the fastening sections fixed securely?
- Are the bearing sections fixed securely?
- Are there any abnormal noises?
- Is there sufficient charge remaining in the battery?

12/WARRANTY CARD

Warranty Clauseproduct:

Thank you for purchasing Magene Dual-Sided Crank Power Meter crank-arm power meter. Please carefully read the Warranty Clause.

Warranty Clause:

This product has passed the strict quality inspection. Failure caused by product quality problem under normal use, we will give free warranty within the warranty period.

The warranty period of Magene Power Meter is 24 months, Please use the original packaging for repairing, otherwise manufacturer does not undertake any related responsibility.

The following situations are not covered by warranty:

- Beyond the warranty period.
- No valid warranty certificate.
- Damage caused by improper use and maintenance.
- The product code on the warranty card does not match the product.
- Unauthorized maintenance, modification, use of parts other than the product.
- Damage caused by irresistible factors.
- Damage caused by not using or installing the product in accordance with the instructions.
- Alter warranty card without authorization.
- Other failures and damages caused by non-product design, manufacturing, quality, etc
- Wear and dirt caused by normal operation, such as scratch, bump, etc

After the warranty expires , we continue to provide maintenance service for which will be charged related service fee.

The company retains the rights to modify and explain above-mentioned contents.

WARRANTY CARD

PRODUCT INFORMATION

Customer Name: _____

Address: _____

Purchase Date: _____

Distributor(Seal and Signature): _____

SERVICE RECORD

| Service Date | Malfunction and Solution |
|--------------|--------------------------|
| | |
| | |
| | |
| | |
| | |